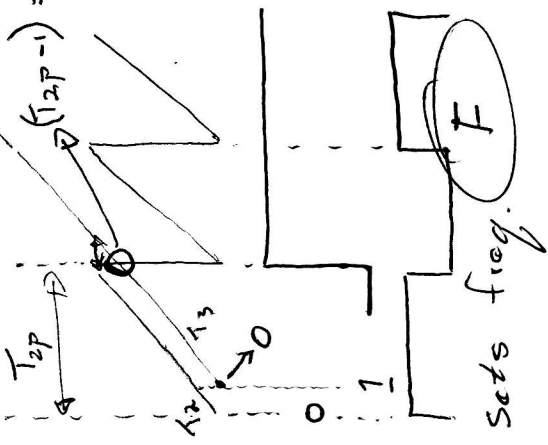


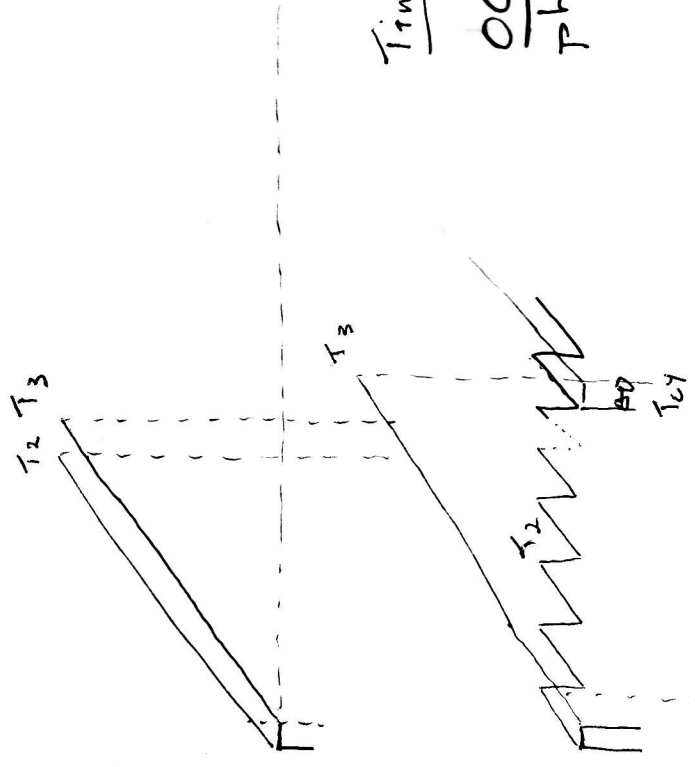
T_{2P}



$(T_{2P}-1) = OC$ trigger
 At what count is T_{2P} whenever T_2 resets?

Timer Sets freq.

OC modules adjust P phase



$OC_{1/2}$

Pulses can be placed anywhere relative to each other by proper adjustment of SET/R registers.